

DON'T PLAY – WORK WITH PRECISION

weko

Non-contact application
of critical fluids



For properties such as:

- **DIRT-REPELLING**
- **WATER-REPELLING**
- **ANTIMICROBIAL**
- **FLAME PROTECTION**
- **AND MANY OTHERS ...**

Protection against:

harmful aerosols



unpleasant odours



risk of slipping



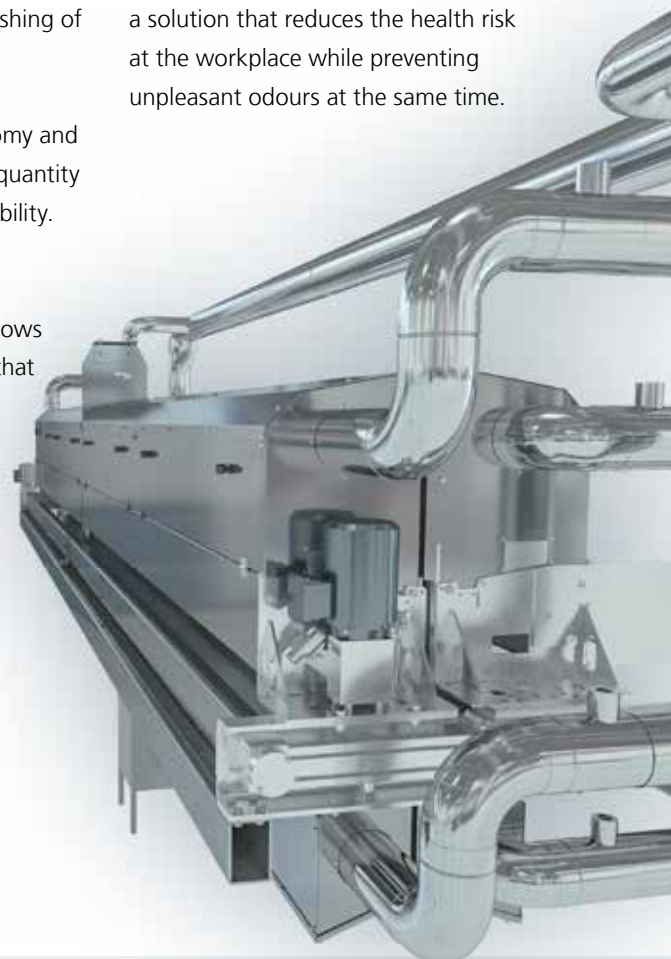
WEKO-ProTec – safe surface finishing for different material webs

WEKO offers non-contact precision application systems for a wide variety of fluids enabling the functional finishing of material webs.

Convincing factors are the economy and exactly reproducible application quantity that guarantee high process reliability.

In addition, WEKO-ProTec, the encapsulated application unit, allows you to safely handle substances that should not be perceivable in the working environment. This may include aerosols exhibiting unpleasant odours or also slippery silicons or oils.

With the encapsulation and highly efficient extraction, WEKO provides a solution that reduces the health risk at the workplace while preventing unpleasant odours at the same time.



MAXIMUM SAFETY FOR PEOPLE AND THE MACHINE

WEKO

ProTec

Principle of the non-contact WEKO application system:

The fluid is supplied to the fast rotating rotor discs and distributed by the centrifugal forces. This generates a uniform flow of ultra-fine micro-droplets landing on the material web.



Advantages of the non-contact application:

- **NO STRAIN FOR THE MATERIAL WEB**
thanks to non-contact application
- **MAXIMUM PROCESS RELIABILITY**
thanks to exactly adjustable and reproducible application quantity
- **SAVING RESOURCES**
because the application medium is not contaminated
- **REDUCTION OF THE ENERGY COSTS**
thanks to short drying times and economic handling of the application medium

For application media such as:

- **SOFTENERS**
- **AVIVAGES**
- **FLAME RETARDANT**
- **SILICONES**
- **HYDROPHILIC/HYDROPHOBIC FINISHING**
- **ANTIMICROBIAL FINISHING**
- **OILY LUBRICANTS**
- **AND MANY MORE ...**

Principle of WEKO-ProTec encapsulation:

The significant improvement of protection against undesirably escaping aerosols and the cleanliness of the environment is achieved through the very easy to operated encapsulated application unit. By opening, the material is easily and quickly introduced. After closing, the highly efficient extraction provides the desired protection.

Benefits of WEKO-ProTec:

- **PROTECTION OF THE WORKERS' HEALTH**
because the escape of harmful aerosols is prevented
- **SAFETY AT THE WORKPLACE**
by preventing environmental contamination through slippery substances

