

weko



Weko Glue-*it*
Edge Gluing Device
The missing link in the line of
stenter peripherals

System description

Always seeking to meet our customers' requirements, we have launched our Edge Gluing Device, the link which until then lacking in the stenter peripherals line.

After unrolling the selvage of the fabric at the entrance of the stenter by means of the WEKO Spread-*it* and the cutting at the output with the WEKO Cut-*it*, developing a system of applying glue with the same excellence as this equipment became an obli-

gation for WEKO. The minimum needling and a cut without waste, a concept already known and propagated by our company, for many customers came up against something apparently very simple: the distance of the glue application related to the needles.

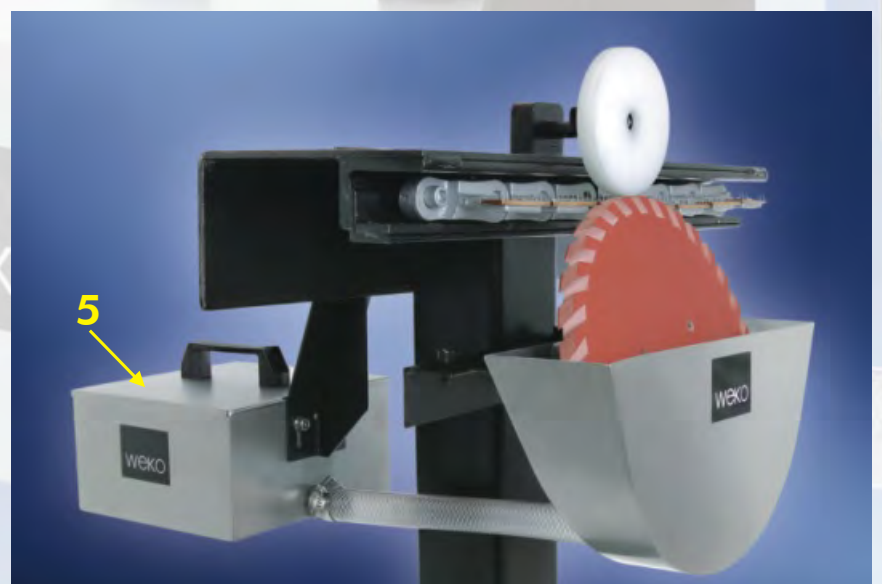
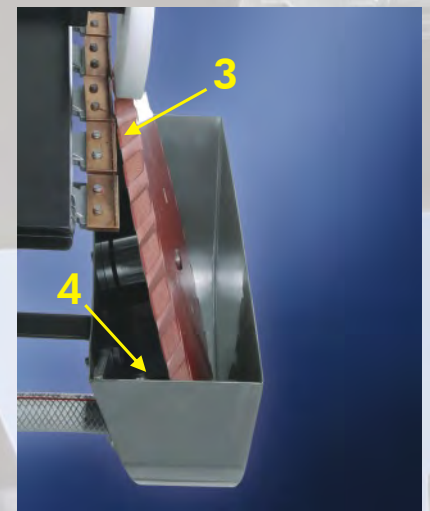
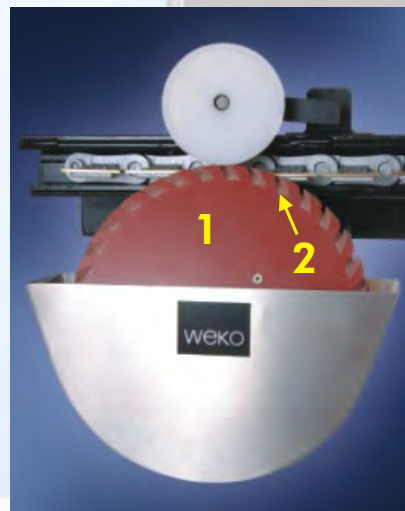
The biggest problem reported in the market is that of minimizing the distance between the glue and the needle with the conventional system, "gluing" also the

needle chain to a lot of work cleaning, with machine stoppages and the ensuing loss of productivity, being daily occurrences. Thus, the distances of applying the glue are increased resolving the problem of dirt but generating problems of width of cut at the output of the stenter. With the glue far-off, either the fabric starts to curl again, or the cutting needs to be done next to the glue, causing loss and increasing waste.

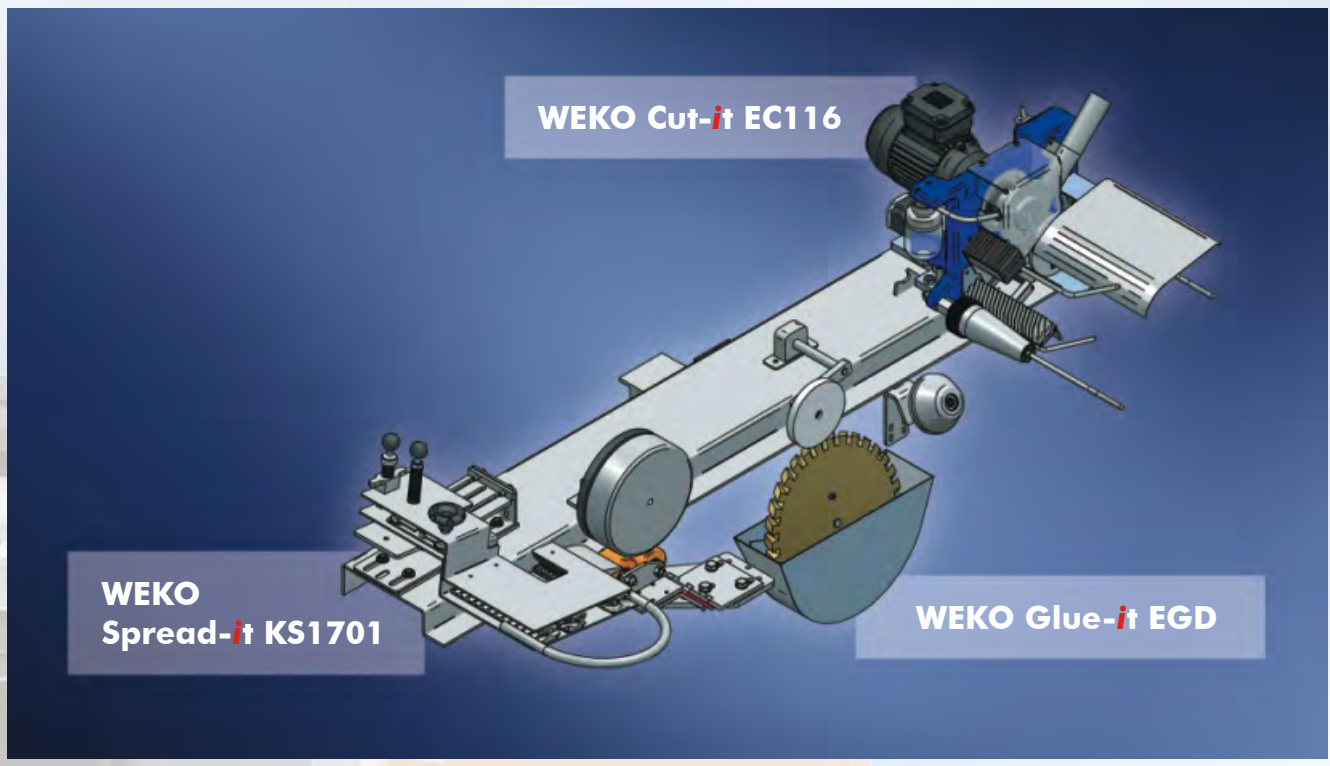
How the WEKO Glue-*it* works?

The concept of the Edge Gluing Device consists of a clean and effective application. As can be seen in the photo at the side, the gluing wheel (1) works at an angle. So, the risk of glue residue near the needles is already minimized. Moreover, the gaps (2) between the application teeth (3) are sloping away from the needles: excess glue is taken to the side opposite the needles. Finally, a scraper (4) cleans the negative surface of the gluing wheel, ensuring clean application.

The supply tank (5), located outside the stenter, facilitates its re-supply and guarantees with its height of installation the ideal level of glue for the application desired.



Maximizing production and reducing waste are of paramount importance for every company. The WEKO product line is the solution.

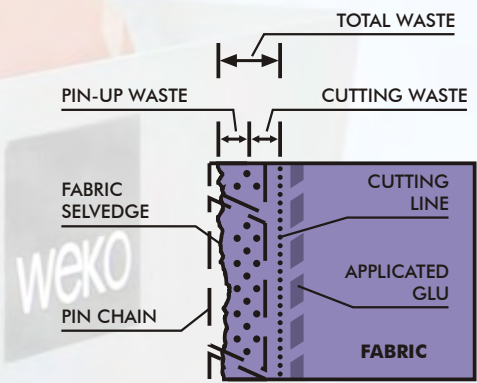


How to calculate the return of investment?

Annual savings of fabric due to the reduction of waste

Waste calculation table (in 1,000 m²)

A \ V	10	15	20	25	30	35	44	45	50
1,0	8	12	16	19	23	27	31	35	39
2,0	16	23	31	39	47	54	62	70	78
3,0	23	35	47	58	70	82	93	105	117
4,0	31	47	62	78	93	109	124	140	156
5,0	39	58	78	97	117	136	156	175	195
6,0	47	70	93	117	140	163	187	210	233
7,0	54	82	109	136	163	191	218	245	272
8,0	62	93	124	156	187	218	249	280	311
9,0	70	105	140	175	210	245	280	315	350
10,0	78	117	156	195	233	272	311	350	389



* based in 22,5 h/day, 6 days/week, 48 weeks/year = 6.480 hours/year
A = mm (material saved per fabric side)
V = Process speed in m/min

Example:

A - mm (material saved per fabric side)

B - Process speed: 30 m/min

C - Total saved fabric per year* (in 1,000 m²)

$$A = \frac{5\text{mm} \times 2 \text{ fabric selvedge} \times 30\text{m/min} \times 60\text{min} \times 6.480^* \text{ hours/year}}{1000}$$

A = Material saved = 116,640 m²

weko



Sales and Production by Weko (Brazil)

WEKO América Latina
R. Albany, 140 – Bairro Encano do Norte
CEP 89130-000 - Indaial - SC
Brasil
Tel.: +55 (47) 3333-1320
Fax: +55 (47) 3394-7392
E-mail: info@weko.net.br
www.weko.net.br

Weko Headquarters Germany:

Weitmann & Konrad GmbH & Co. KG
Friedrich-List-Strasse 20-24
D-70771 Leinfelden-Echterdingen
Germany
Tel +49 711-79880
Fax +49 711-7988114
E-mail: info@weko.net
www.weko.net

